

MODELS: KPS-03

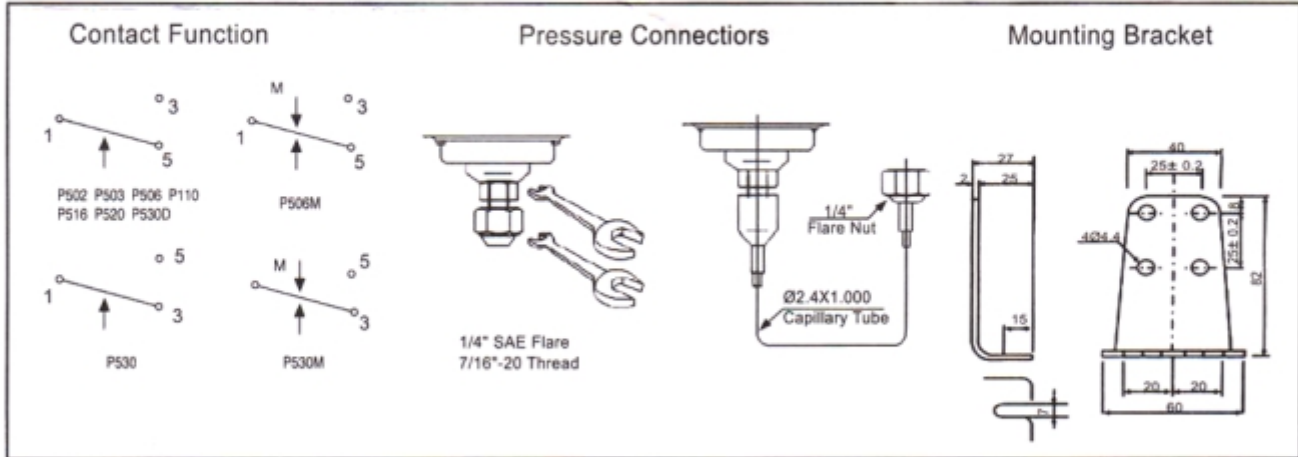
KPS-03-3, KPS-03-6, KPS-03-10, KPS-03-16, KPS-03-35

General Description

- For use with fluorinated refrigerants as well as with air and water.
(Allowable Fluid Temp: -10 to 100 °C)
- Various contact functions available.
- Mounting bracket supplied as standard.
- Several models available indrip-proof enclosure for marine applications or in explosion-proof enclosure for special applications.
- Micro-switch ensures reliable switching

Electric Rating

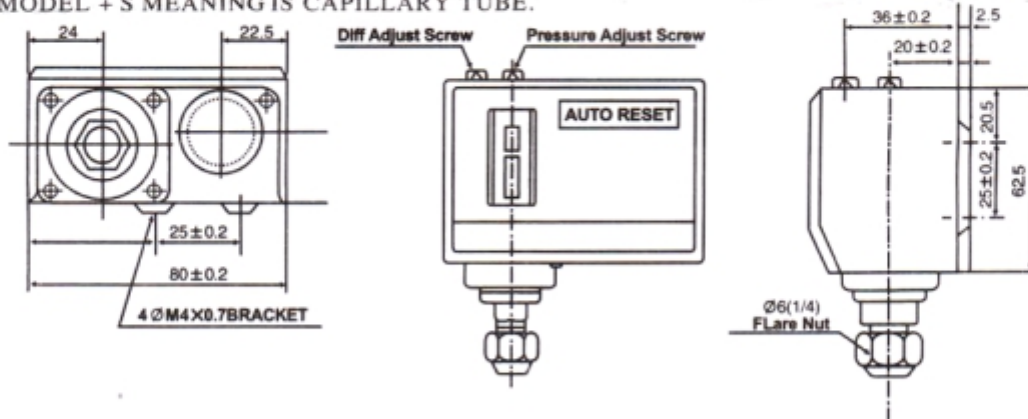
Rated Amps.(A)	Rated Voltage(V)	Power Factor (cos θ)	125/250V. AC
	Non-Inductive Current		
Inductive Current	Full Load	0.75	12
	Locked Rotor	0.45	72



COMMON SPECIFICATIONS

Model No.	Range (bar)		Differential(bar)		Factory Setting (bar)		Max. Bellows Press. (bar)
	Min.	Max.	Min.	Max.	OFF	ON	
P502	-0.5	2	0.35	1.5	2	1	16.5
P503	-0.5	3	0.2	1.5	2	1	16.5
P506	-0.5	6	0.6	4	3	2	16.5
P506M	-0.5	5.5	Duplicate voltage disparity ≤ 1		Manual Reset	3	16.5
P110	1	10	1	3	6	5	16.5
P516	3	16	2	5	10	8	35
P520	5	20	2	5	16	14	35
P530D	5	30	3	10	20	15	35
P530	8	30	Fixed 3 to 5		20	15-17	35
P530M	8	30	Duplicate voltage disparity ≤ 5		20	Manual Reset	35

NOTE: IF MODEL + E MEANING IS ENGLISH SYSTEM CONNECTION.
 IF MODEL + S MEANING IS CAPILLARY TUBE.



Appearance Drawing

MODELS: KPS-03

KPS-03-3, KPS-03-6, KPS-03-10, KPS-03-16, KPS-03-35

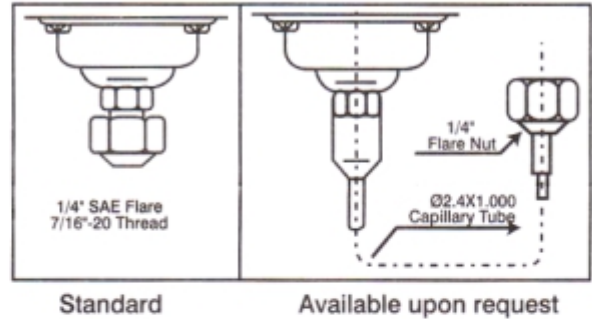
General Description

- For use with fluorinated refrigerants as well as with air and water.
(Allowable Fluid Temp: -10 to 100°C)
- Various contact functions available.
- Mounting bracket supplied as standard.
- Several models available indrip-proof enclosure for marine applications or in explosion-proof enclosure for special applications.
- Micro-switch ensures reliable switching

Electric Rating

Rated Voltage(V)		Power Factor (cos ϕ)	125/250V. AC
Rated Amps.(A)			
Non-Inductive Current		1	12
Inductive Current	Full Load	0.75	12
	Locked Rotor	0.45	72

Press. Connectors



Specifications

Model	Press. Side	Range (bar)		Differential (bar)		Factory Setting (bar)		Max.Bellows Press. (bar)
		Min.	Max.	Min.	Max.	OFF	ON	
P830	Low Side	-0.5	6	0.6	4	2	3	16.5
	High Side	8	30	Fixed 3 to 5		20	15	35
P830HM	Low Side	-0.5	6	0.6	4	2	3	16.5
	High Side	8	30	Duplicate voltage disparity ≤ 5		20	Manual Reset	35
P830HLM	Low Side	-0.5	5.5	Duplicate voltage disparity ≤ 1		Manual Reset	3	16.5
	High Side	8	30	Duplicate voltage disparity ≤ 5		20	Manual Reset	35

NOTE: IF MODEL + E MEANING IS ENGLISH SYSTEM CONNECTION.
IF MODEL + S MEANING IS CAPILLARY TUBE.

Contact Function

